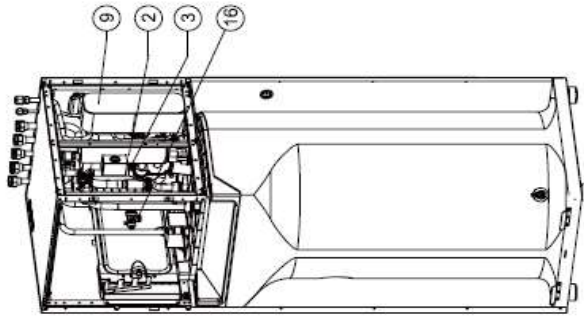
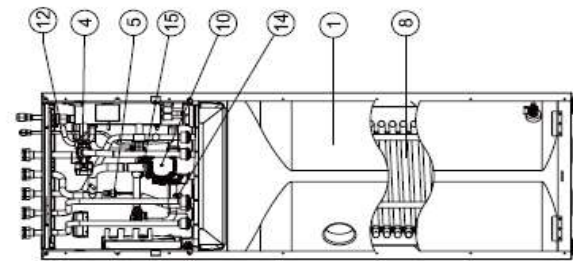
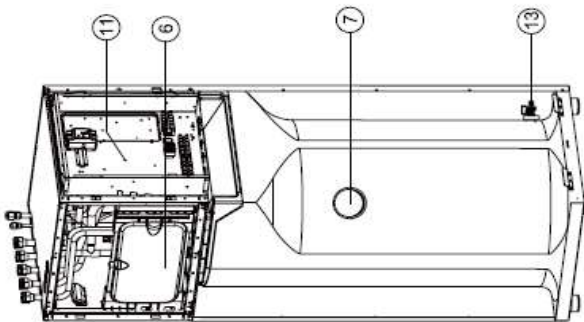
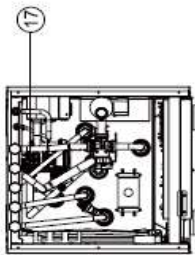


THERMA V Split - Hydro box HN0913T.NK0

[Unit:mm]

Chassis code: K5

P/No. : TBJ37803001_rev.01



17	Safety valve	For water circuit (3 bar)
16	Safety valve	For DHW (10 bar)
15	Stralher	For water circuit
14	Drain cock 2	Valve for water circuit drain
13	Drain cock 1	Valve for DHW Tank drain
12	Air vent	For Air purging
11	Control Box	PCBVA and Terminal blocks
10	Water pump	Main circulation pump
9	Heat exchanger 2	Plate Heat Exchange (Ref. / Water)
8	Heat exchanger 1	Coil Heat Exchange (water / DHW)
7	DHW tank sensor	Temperature sensor
6	Expansion vessel	8L for Heating circuit
5	Pressure sensor	Pressure sensor
4	3Way valve	For DHW / Heating
3	Flow sensor	Flow metering sensor
2	Heater	Electric heater (3kw)
1	DHW Tank	Domestic hot water tank(200L)
No.	Part Name	Description