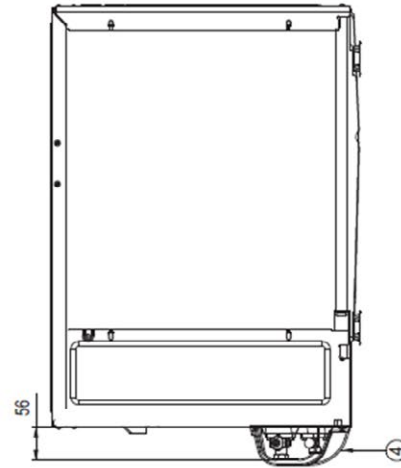
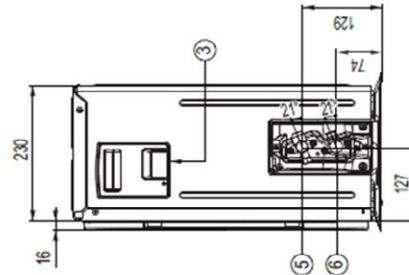
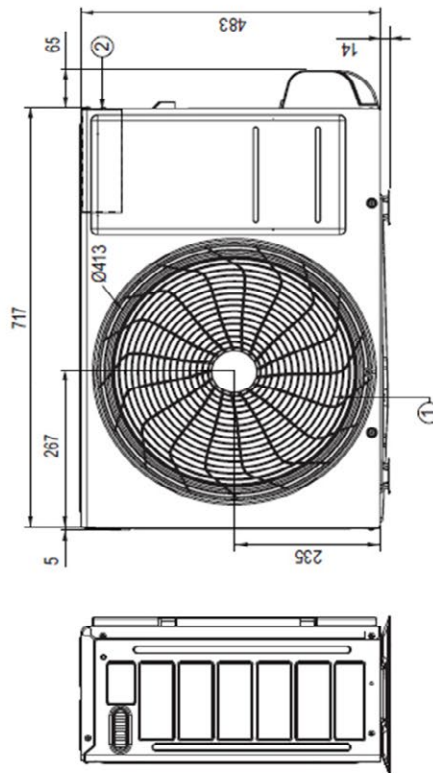
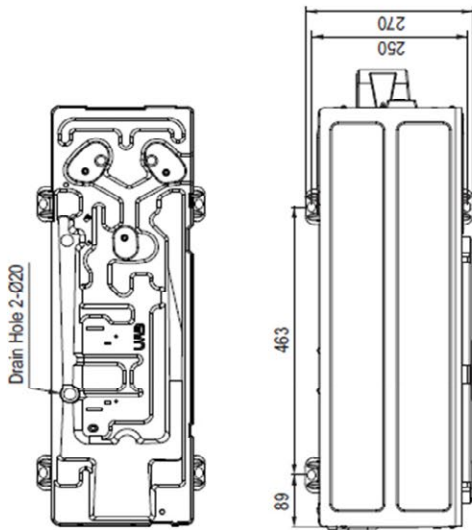
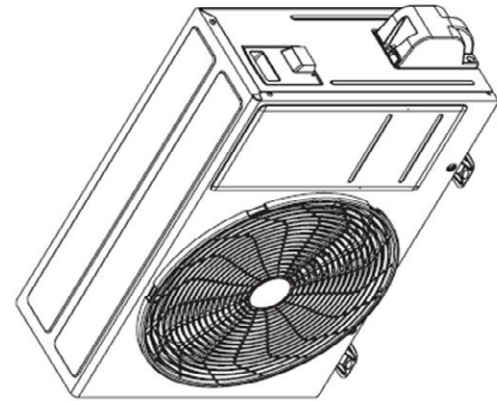


Kondenzační jednotka PC09~12SK, S09~12EQ, AC09~12BK, AB09~12BK

UA3 Chassis

Unit : mm



No	Name	Description
6	Liquid Pipe Connection	Flare Joint
5	Gas Pipe Connection	Flare Joint
4	Service Valve Cover	
3	Power and Communication Cable Hole	
2	Control Box	
1	Air Outlet	