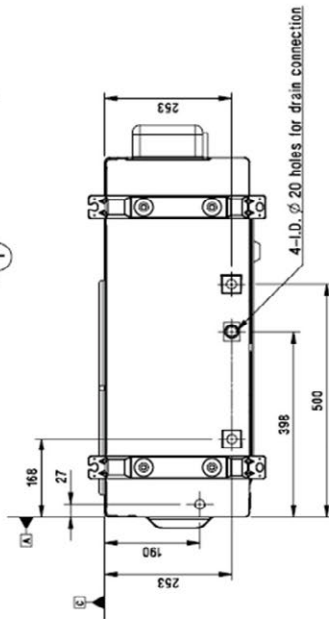
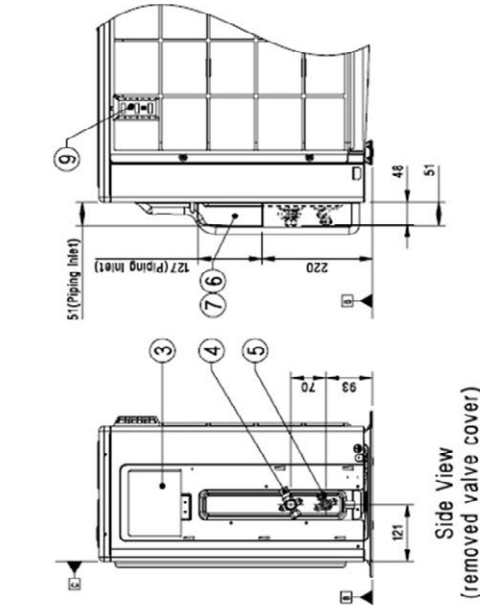
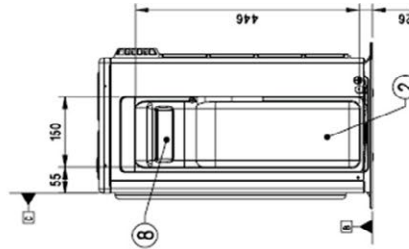
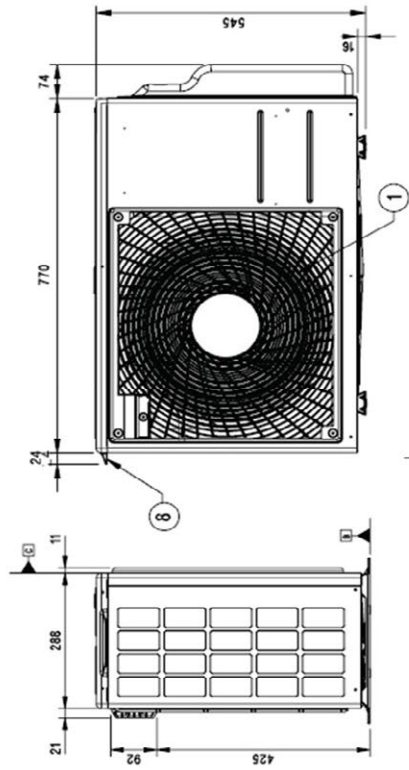
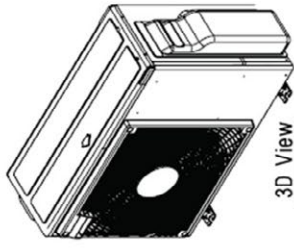
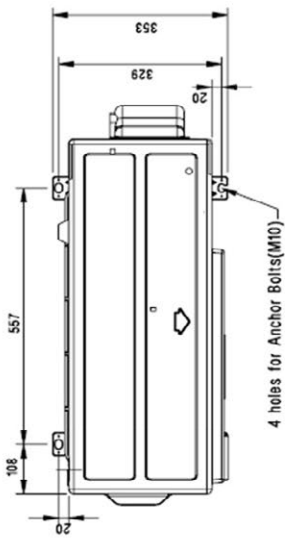


Kondenzační jednotka UUA1 UL0

[Unit: mm]

Chassis code : UL2

DWG No. : TBW35446501_Rev01



No.	Part Name	Description
9	Intake air temperature sensor cover	-
8	Handle	-
7	Refrigerant pipe routing hole	-
6	Power and Communication cable routing hole	-
5	Liquid Pipe connection	-
4	Gas Pipe connection	-
3	Power and communication cable connection	-
2	Control cover & SVC valve cover	-
1	Air Outlet	-

Symbols

□ Datum line

→ Refrigerant/Drain Piping Direction

Note

- Unit should be installed in compliance with the installation manual in the product box.
- Unit should be grounded in accordance with the local regulations or applicable national codes.
- All electrical components and materials to be supplied from the site must comply with the local regulations or international codes.
- Electric characteristics chapter should be considered for electrical work and design. Especially, the power cable and circuit breaker should be selected in accordance with that.