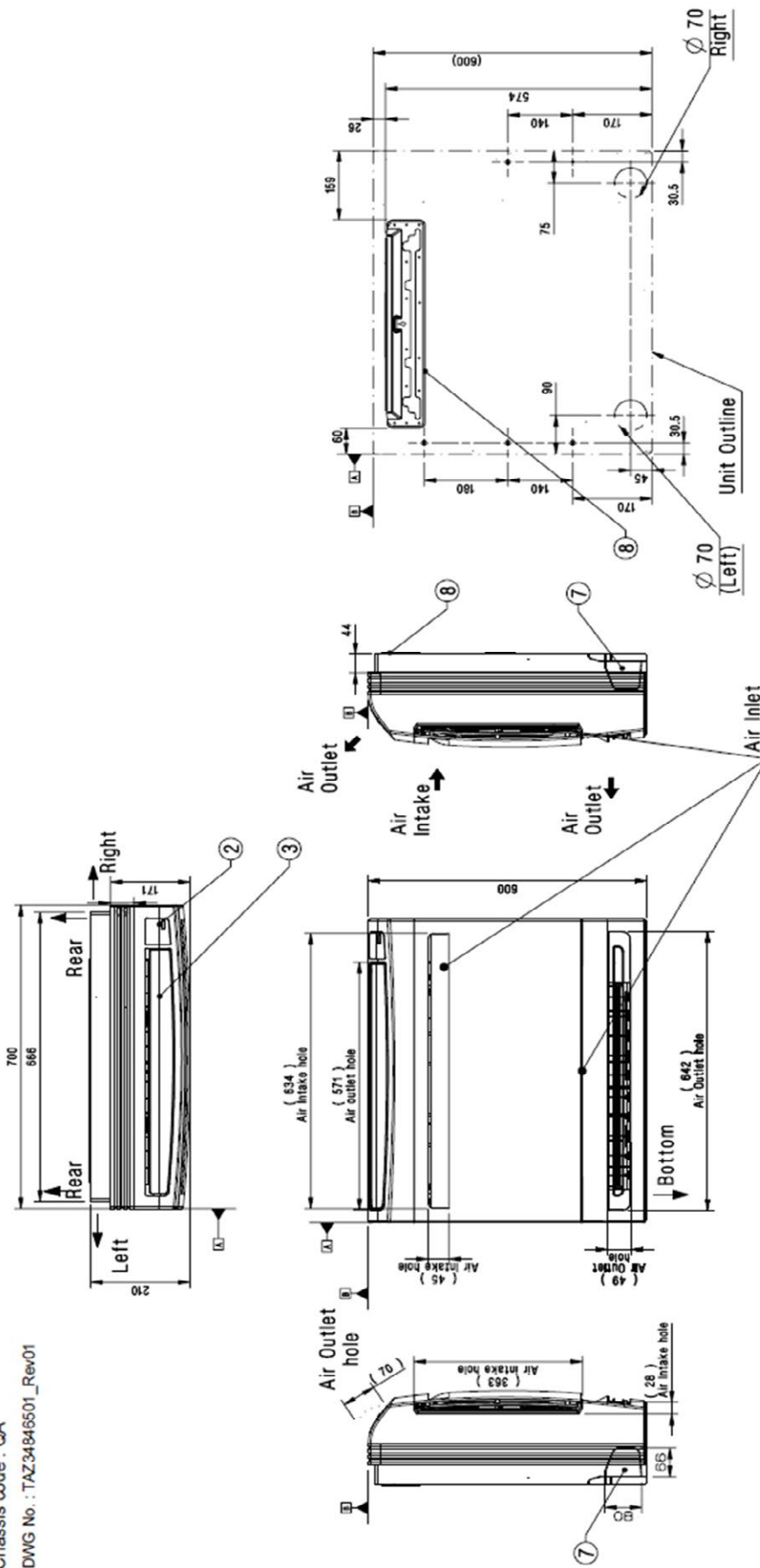


Parapetní jednotka UQ09~18F

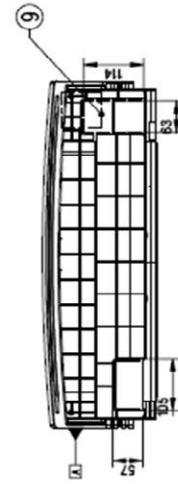
[Unit: mm]

Chassis code : OA

DWG No. : TAZ34846501_Rev01



Fixing the installation plate, drilling hole



No.	Name	Description
9	Terminal Block for power supply & Communication	Inside decoration cover
8	Installation plate	-
7	Refrigerant/Drain pipe & cable routing hole	Knock-out type
6	Drain hose connection	-
5	Liquid pipe connection	-
4	Gas pipe connection	-
3	Air discharge grille	-
2	Remote Controller signal receiver	for wireless type
1	Air suction grille	-